

PCV Valve

EMISSION CONTROL (AUX. EMISSION CONTROL DEVICES)

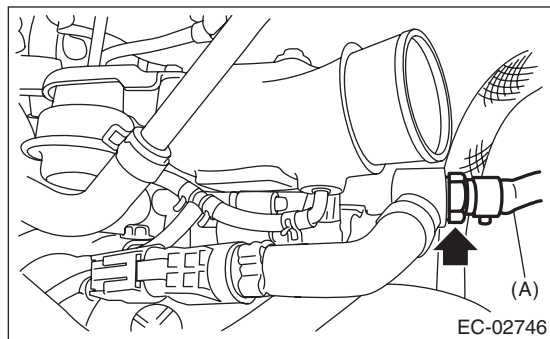
11.PCV Valve

A: REMOVAL

CAUTION:

Do not remove unless the PCV valve is broken.

- 1) Remove the intercooler. <Ref. to IN(STI)-13, REMOVAL, Intercooler.>
- 2) Disconnect the vacuum hose (A) from the PCV valve and remove the PCV valve from the PCV connector.



B: INSTALLATION

- 1) Install the PCV valve to the PCV connector and connect the vacuum hose (A) to the PCV valve.

NOTE:

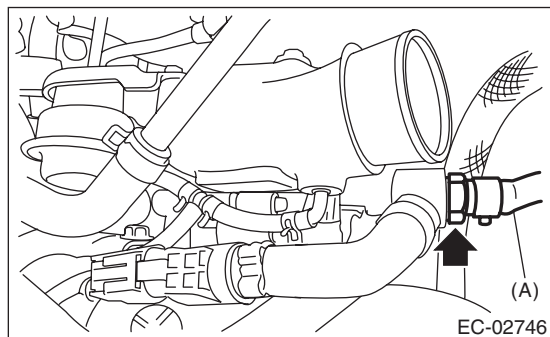
Apply liquid gasket to the bolt threads of PCV valve.

Liquid gasket:

THREE BOND 1324 (Part No. 004403042) or equivalent

Tightening torque:

22.5 N·m (2.3 kgf-m, 16.6 ft-lb)

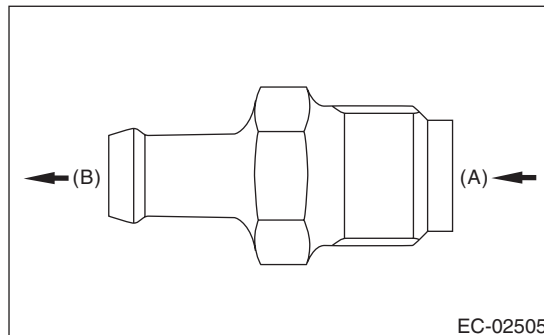


- 2) Install the intercooler. <Ref. to IN(STI)-14, INSTALLATION, Intercooler.>

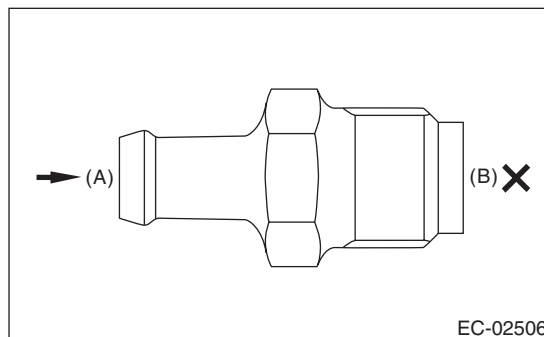
C: INSPECTION

1. PCV VALVE

- 1) Check that the PCV valve has no deformation, cracks or other damages.
- 2) Check that air is discharged from (B) when air is blown into (A).



- 3) Check that air does not come out from (B) when air is blown into (A).



2. OTHER INSPECTIONS

Check the vacuum hose for cracks, damage or looseness.